

PHILIPS

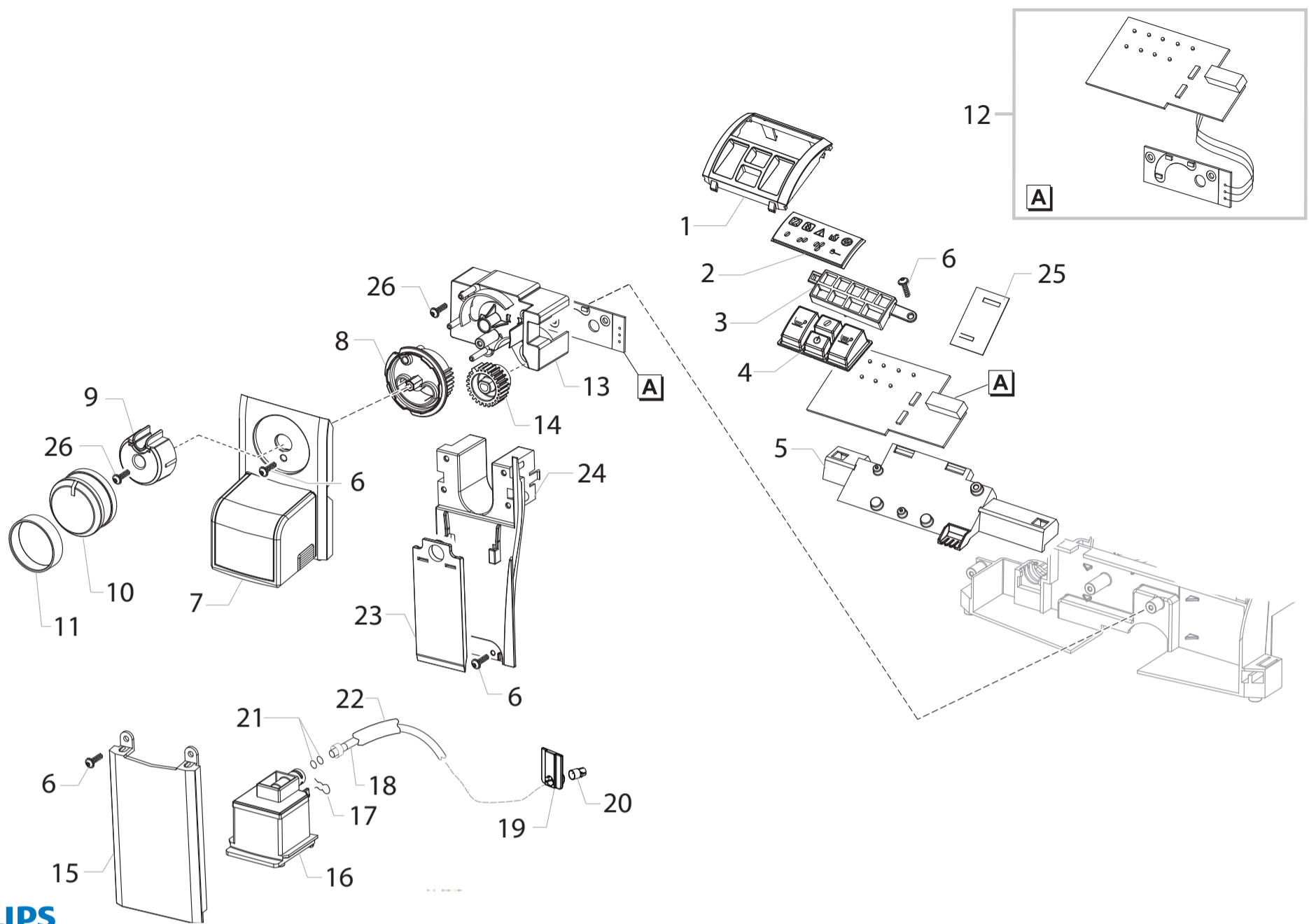
Saeco

HD8833/11-12-13-14-15-16-18-19-31-39-47



Cod.10003553-3554-3555-3556-3557-3558
Cod.10003614-3765-3826-3827-3889

| POS | CODE | DESCRIPTION | NOTE | POS | CODE | DESCRIPTION | NOTE |
|-----|-----------|--|------------------|-----|-----------|--|-------|
| 01 | 11005044 | SAECO KLUBER TRIBOSTAR SIL 2 TUBE 5GR. | | 16 | 11012921 | CHROMED UPPER COVER CASING CAP XSM | |
| 02 | 15002479 | MANUAL PSA SUP037R XSM/P IT | | | 11027486 | CHROM.UPPER COVER CASING CAP V2 XSM UP TO S/N TU901128095109 FROM S/N TU901128095110 | |
| | 15002520 | MANUAL PSA SUP037R XSM/P GB | | 17 | 11013102 | NATUR/GREY GROUND COFFEE HOPPER LID XSM | |
| | 15002521 | MANUAL PSA SUP037R XSM/P DE | | 18 | 11013107 | CASING LEFT SIDE XSM | BLACK |
| | 15002522 | MANUAL PSA SUP037R XSM/P FR | | | 11021374 | CASING LEFT SIDE XSM | WHITE |
| | 15002523 | MANUAL PSA SUP037R XSM/P ES | | 19 | 11012708 | BLACK CASING BOTTOM INSERT XSM | |
| | 15002524 | MANUAL PSA SUP037R XSM/P PT | | 20 | 11012681 | BLACK CASING BOTTOM COVER XSM | |
| | 15002525 | MANUAL PSA SUP037R XSM/P NL | | | 11013471 | CASING BOTTOM COVER XSM | WHITE |
| | 15002526 | MANUAL PSA SUP037R XSM/P SV | | 21 | 17000432 | BLACK CASING BOTTOM XSMC | |
| | 15002527 | MANUAL PSA SUP037R XSM/P NO | | 22 | 11012706 | SS GRATE FOR DRIP TRAY XSM | |
| | 15002528 | MANUAL PSA SUP037R XSM/P FI | | 23 | 11013184 | RED FLOAT FOR DRIP TRAY XSM | |
| | 15002529 | MANUAL PSA SUP037R XSM/P DA | | 24 | 11013229 | DRIP TRAY XSM ASSY. | BLACK |
| | 15002530 | MANUAL PSA SUP037R XSM/P GR | | | 11021857 | DRIP TRAY XSM ASSY. | WHITE |
| | 15002531 | MANUAL PSA SUP037R XSM/P PL | | 25 | 11012725 | NATUR/GREY BEAN COFF. CONTAINER LID XSM | |
| | 15002532 | MANUAL PSA SUP037R XSM/P RU | | 26 | 11012724 | NATUR/GREY BEAN CONTAINER XSM | |
| | 15002533 | MANUAL PSA SUP037R XSM/P HU | | 27 | 11012642 | COFFEE GRINDER PLATE XSM BLACK | |
| | 15002534 | MANUAL PSA SUP037R XSM/P CS | | 28 | 11013709 | 3POLES CONNECTOR WATER LEVEL XSM UL | |
| | 15002535 | MANUAL PSA SUP037R XSM/P SK | | 29 | 11000651 | WATER LEVEL SENSOR BOARD P124 | |
| | 15002536 | MANUAL PSA SUP037R XSM/P UA | | 30 | 12000450 | SCREW TCB TORX 10 3,5X12 PLAST.ZN-N | |
| | 15002537 | MANUAL PSA SUP037R XSM/P SL | | 31 | 11012709 | BLACK DUMP BOX XSM | |
| | 15002538 | MANUAL PSA SUP037R XSM/P RO | | 32 | 11013161 | DOOR RIGHT SIDE XSM ASSY. | BLACK |
| | 15002539 | MANUAL PSA SUP037R XSM/P SI | | | 11022260 | WHITE DOOR RIGHT SIDE XSM ASSY. | |
| | 15002540 | MANUAL PSA SUP037R XSM/P BG | | 33 | 11012713 | BLACK HINGE FOR DOOR RIGHT SIDE XSM | |
| | 15002541 | MANUAL PSA SUP037R XSM/P SR | | 34 | 11012714 | BLACK HINGE FOR REAR CASING XSM | |
| | 15002542 | MANUAL PSA SUP037R XSM/P CHN | | 35 | NE03.038 | BIPOLAR SWITCH FUSIT C1250AR | |
| | 15002543 | MANUAL PSA SUP037R XSM/P KOR | | 36 | NE05.013 | MICROSWITCH | |
| | 15002544 | MANUAL PSA SUP037R XSM/P TWN | | 37 | 11012719 | SOUNDPROOFING COVER FOR COFGRINDER XSM | |
| 03 | 147622800 | TRANSPARENT SILICONE FOOT | | 38 | 11013104 | REAR CASING XSM | BLACK |
| 04 | 11004246 | BLACK POWER CABLE TAIWAN HVCTF L=1200 | | | 11013600 | REAR CASING XSM | WHITE |
| | 11004247 | BLACK POWER CABLE RVV 3X1 CHINA L=1200MM | | 39 | 11013704 | TRANSPARENT COVER INFRAREDS ACCESS XSM | |
| | 11001985 | BLACK POWER CABLE KOREA 3X1 L=1200 | | 40 | 149213000 | TRANSP.CAP FOR KNOBS BEAN CONTAINER | |
| | 183911050 | BLACK POWER CABLE SCHUKO L=1200 | | 41 | 120350604 | SHAFT 6 UNI 7434 | |
| | 183940650 | BLACK POWER CABLE AUSTRALIA L=1200 | | 42 | 11012301 | BLACK PWR/CPU BOARD PROTECTION P0057 | |
| | 183970350 | BLK POWER CABLE 3X1 H05VV-F UK L=1200MM | | 43 | 11012593 | CPU+SW AS.XSM V2 | 230V |
| | 183921950 | POWER CABLE S.JT3 USA BLACK UL L=1200 | | | 11023761 | AS.CPU+SW P0057 V2 STD | 120V |
| 05 | 11013206 | BLACK GRIND.ADJUSTMENT KNOB XSM | | 44 | 20006885 | KIT PS-E INSERT FOR BOX XSM | |
| 06 | 11023345 | CONTAINERS COVER XSM ASSY. | BLACK | 45 | 129913202 | SCREW TCB TORX 10 3X8 PLAST.ZN-B | |
| | 11026059 | CONTAINERS COVER XSM ASSY. | BLUE | 46 | 13001280 | DISPLAY BOX XSMP PSA SYNTIA FOCUS WE | |
| 07 | 11013093 | NATUR/GREY WATER CONTAINER XSM ASSY. | | | 13001281 | DISPLAY BOX XSMP PSA SYNTIA FOCUS CEE | |
| 08 | 224640200 | EXTERNAL FILTER FOR WATER CONTAINER ASSY | WITH PART. N° 09 | | 13001373 | DISPLAY BOX XSMP PSA SYNTIA FOCUS USA | |
| 09 | 140328461 | EPDM OR METRIC 0190-10 | | 47 | 146680850 | BLACK COFFEE MEASURE SMART | |
| 10 | 11003672 | SPRING FOR WATER CONTAINER VALVE P0049 | | 48 | 11022065 | ADHES.SILVER PLATE LOGO SYNTIA | |
| 11 | 11003673 | GREY WATER CONTAINER VALVE INSERT P0049 | | 49 | 12000280 | CUP SOCKET EN 60320 C 13 | |
| 12 | 11003671 | TRANSP.VALVE FOR WATER CONTAINER P0049 | | 50 | 11023346 | DUMP BOX COVER XSM ASSY. | BLACK |
| 13 | 11001298 | BLACK LID FOR DUCKBILL VALVE P0049 | | | 11025997 | DUMP BOX COVER XSM ASSY. | BLUE |
| 14 | 11023341 | UPPER CASING COVER XSMP ASSY. | BLACK | 51 | 129912504 | SCREW TCB TORX 10 3,5X14 PLAST.ZN-N | |
| | 11025998 | UPPER CASING COVER XSMP ASSY. | BLUE | 52 | 17000064 | BLACK CAPACITIVE SENSOR INSERT XSM | |
| 15 | 11025026 | ADHES.SILVER PLATE LOGO PHILIPS-SAECO | | | | | |



PHILIPS

Saeco

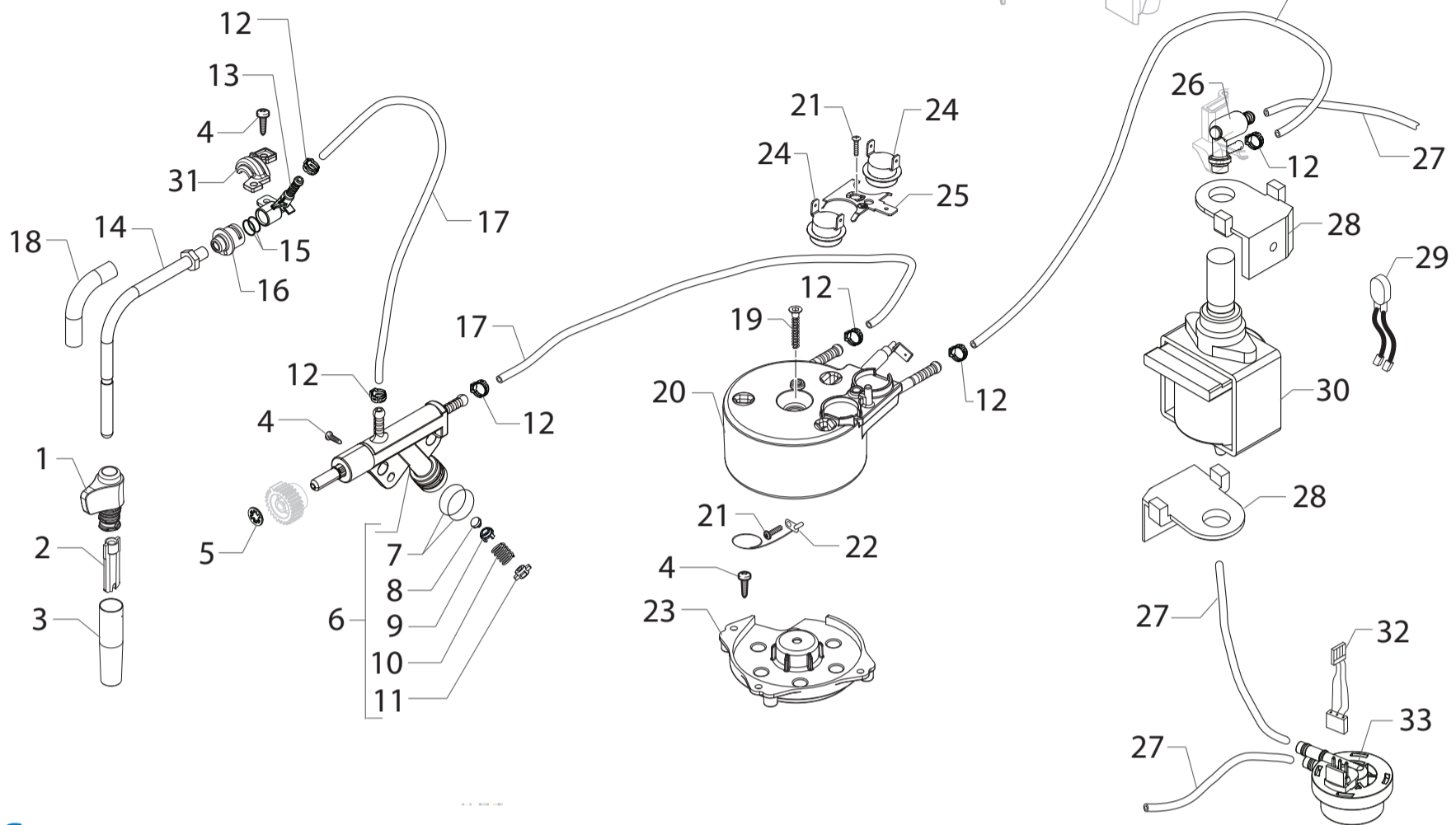
HD8833/11-12-13-14-15-16-18-19-31-39-47



Cod.10003553-3554-3555-3556-3557-3558

Cod.10003614-3765-3826-3827-3889

| POS | CODE | DESCRIPTION | NOTE | POS | CODE | DESCRIPTION | NOTE |
|-----|-----------|--|---------|-----|------|-------------|------|
| 01 | 11022826 | CHROMED DISPLAY FRAME XSM/P | | | | | |
| 02 | 11013523 | TRANSPARENT GLASS FOR DISPLAY XSM/P | | | | | |
| 03 | 11022837 | BLACK GUIDE LIGHT SUPPORT XSM/P | | | | | |
| 04 | 11022824 | SILVER TOUCH PANEL S/SCREEN XSM/P | | | | | |
| 05 | 11013526 | BLACK DISPLAY SUPPORT XSM/P | | | | | |
| 06 | 12000450 | SCREW TCBR TORX 10 3,5X12 PLAST.ZN-N | | | | | |
| 07 | 11021760 | CHROM.COFF.DISPENSER SUPP.S/SCR.XSM ASSY | | | | | |
| 08 | 11013117 | BLACK CONTROL KNOB SUPPORT XSM ASSY. | | | | | |
| 09 | 11012701 | BLACK CONTROL KNOB XSM | | | | | |
| 10 | 11013091 | CHROMED CONTROL KNOB COVER XSM/H | | | | | |
| 11 | 11021454 | BLACK CONTROL KNOB COVER INSERT XSM | | | | | |
| 12 | 11013423 | INTERFACE LED BOARDS+UL CABLES XSM/PASS | | | | | |
| 13 | 11012704 | BLACK KNOB ELECTR.BOARD SUPPORT XSM | | | | | |
| 14 | 11004120 | BLACK STEAM/WATER GEAR Z=26 P0057 | | | | | |
| 15 | 11013096 | CHROMED FRONT PLATE XSM | | | | | |
| 16 | 11013070 | BLACK COFFEE DISPENSER XSM ASSY. | | | | | |
| 17 | 9011.144 | SS FORK FOR TUBE D.4 | | | | | |
| 18 | 11004132 | TEFLON TUBE 2X4 L=250 MM ASSY | | | | | |
| 19 | 11005100 | PLATE FOR 4X2 TEFLON TUBE P124 | | | | | |
| 20 | 11005101 | BUSH FOR 4X2 TEFLON TUBE P124 | | | | | |
| 21 | 140328059 | OR 2015 IN SILICONE PTFE/FDA | | | | | |
| 22 | 149361200 | BLACK SILICONE TUBE 7,5X9,3 | IN ROLL | | | | |
| 23 | 11013411 | BLACK COF.DISPENSER MOBILE PART SUPP.XSM | | | | | |
| 24 | 11012707 | BLACK FRONT PANEL SUPPORT XSM | | | | | |
| 25 | 17000445 | BLACK KYB-LED BOARD PROTECTION XSM/P | | | | | |
| 26 | 129912504 | SCREW TCBR TORX 10 3,5X14 PLAST.ZN-N | | | | | |



PHILIPS

Saeco

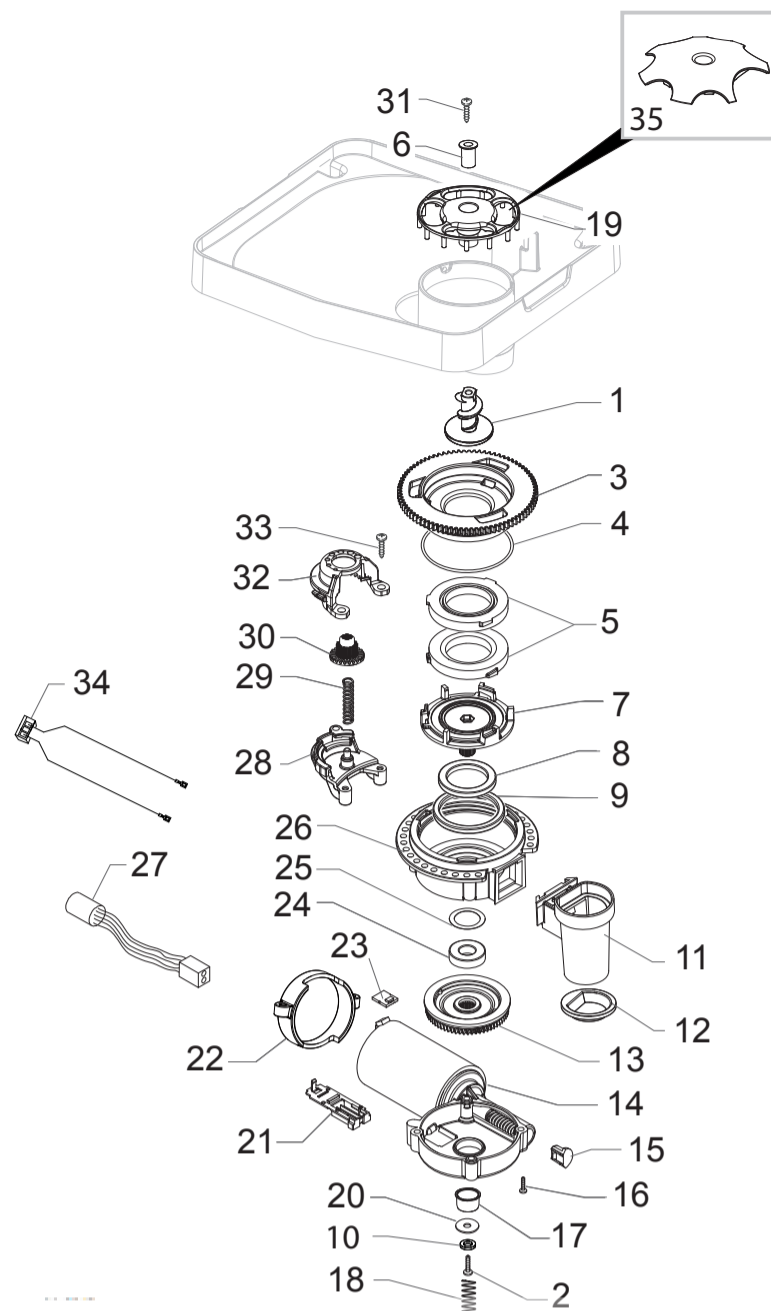
HD8833/11-12-13-14-15-16-18-19-31-39-47



Cod.10003553-3554-3555-3556-3557-3558

Cod.10003614-3765-3826-3827-3889

| POS | CODE | DESCRIPTION | NOTE | POS | CODE | DESCRIPTION | NOTE |
|-----|-----------|--|--------------|-----|------|-------------|------|
| 01 | 11007194 | BLACK STEAM TUBE HANDGRIP G0053 | | | | | |
| 02 | 11001620 | BLACK PANNARELLO INTERNAL TUBE P0049 | | | | | |
| 03 | 11011504 | TF/CHROM.PANNARELLO COVER P0049 | | | | | |
| 04 | 12000450 | SCREW TCB TORX 10 3,5X12 PLAST.ZN-N | | | | | |
| 05 | 128210600 | ELASTIC WASHER FOR SHAFT D=6MM | | | | | |
| 06 | 11012381 | FLOW SELECTOR FAUCET V2 P0057 | | | | | |
| 07 | 12000893 | OR METRIC 0120-20 IN EPDM | | | | | |
| 08 | 11008104 | MUSHROOM VALVE FOR FLOW SELECTOR P0057 | | | | | |
| 09 | 11008105 | SUPPORT VALVE FOR FLOW SELECTOR P0057 | | | | | |
| 10 | 11008077 | SPRING FOR VALVE FLOW SELECTOR P0057 | | | | | |
| 11 | 11008106 | VALVE CAP FOR FLOW SELECTOR P0057 | | | | | |
| 12 | 12000892 | OETIKER CLAMP D=9,5 16700004 | | | | | |
| 13 | 11005757 | STEAM TUBE SUPPORT P0057 | | | | | |
| 14 | 11013637 | TF/CHROMED STEAM TUBE XSM ASSY. | | | | | |
| 15 | 140324461 | OR ORM 0060-20 IN TERMOIL | | | | | |
| 16 | 11011127 | BLACK PA6 BUSH FOR STEAM TUBE P0057 | | | | | |
| 17 | 16000380 | 5X8,9 SILICONE TUBE | IN ROLL | | | | |
| 18 | 11012923 | CHROMED STEAM TUBE PROTECTION XSM | | | | | |
| | | UP TO S/N TU901128095109 | | | | | |
| 19 | 12001369 | SCREW TSP TORX 10 5X35 PLAST.SS | | | | | |
| 20 | 11013735 | SLIM TUB.BOILER ASSY. | 230V-1300W | | | | |
| | 11023153 | SLIM TUB.BOILER ASSY. | 120V - 1300W | | | | |
| 21 | 12001715 | SCREW TCB TORX 20 M4X8 AUTOFORMING ZN-B | | | | | |
| 22 | 190800100 | TEMPERATURE SENSOR NTC UL L=280MM | | | | | |
| 23 | 11022791 | BLACK SLIM/EXSL BOILER SUPPORT | | | | | |
| 24 | 12001033 | THERMOSTAT ONE SHOT 190° | | | | | |
| 25 | 11001751 | THERMOSTATES SPRING FOR BOILER | | | | | |
| 26 | 11004689 | TEA/BRASS SAFETY VALVE 16-18 BAR ASSY. | | | | | |
| 27 | JS01.022 | SILICONE TUBE 5X10 60 SHORE | IN ROLL | | | | |
| 28 | 149205850 | BLACK PUMP SUPPORT TYPE ULKA | | | | | |
| 29 | 11009747 | 2POLES CONNECTOR PUMP P0057 UL | | | | | |
| 30 | 12000140 | ULKA PUMP EP5/S GW | 230V-50HZ | | | | |
| | 12000182 | ULKA PUMP EP5/S GW | 220V-60HZ | | | | |
| | 12000142 | ULKA PUMP EAP5/S | 120V-60HZ | | | | |
| 31 | 11013894 | BLACK FORK FOR STEAM TUBE GXSM | | | | | |
| 32 | 11005948 | 3POLES CONNECTOR FLOWMETER P0057 | | | | | |
| 33 | NV99.099 | TURBINE D=1,2 932-8521/00 ASSY. | | | | | |
| | 11026683 | SLIM TUB.BOIL.STD C1 T190° 1300W 230V AS | 230V-1300W | | | | |
| | 11026684 | SLIM TUB.BOIL.STD C1 T190° 1300W 120V AS | 120V-1300W | | | | |
| | | WITH PART.N°20-21-22-24-25 | | | | | |



PHILIPS

Saeco

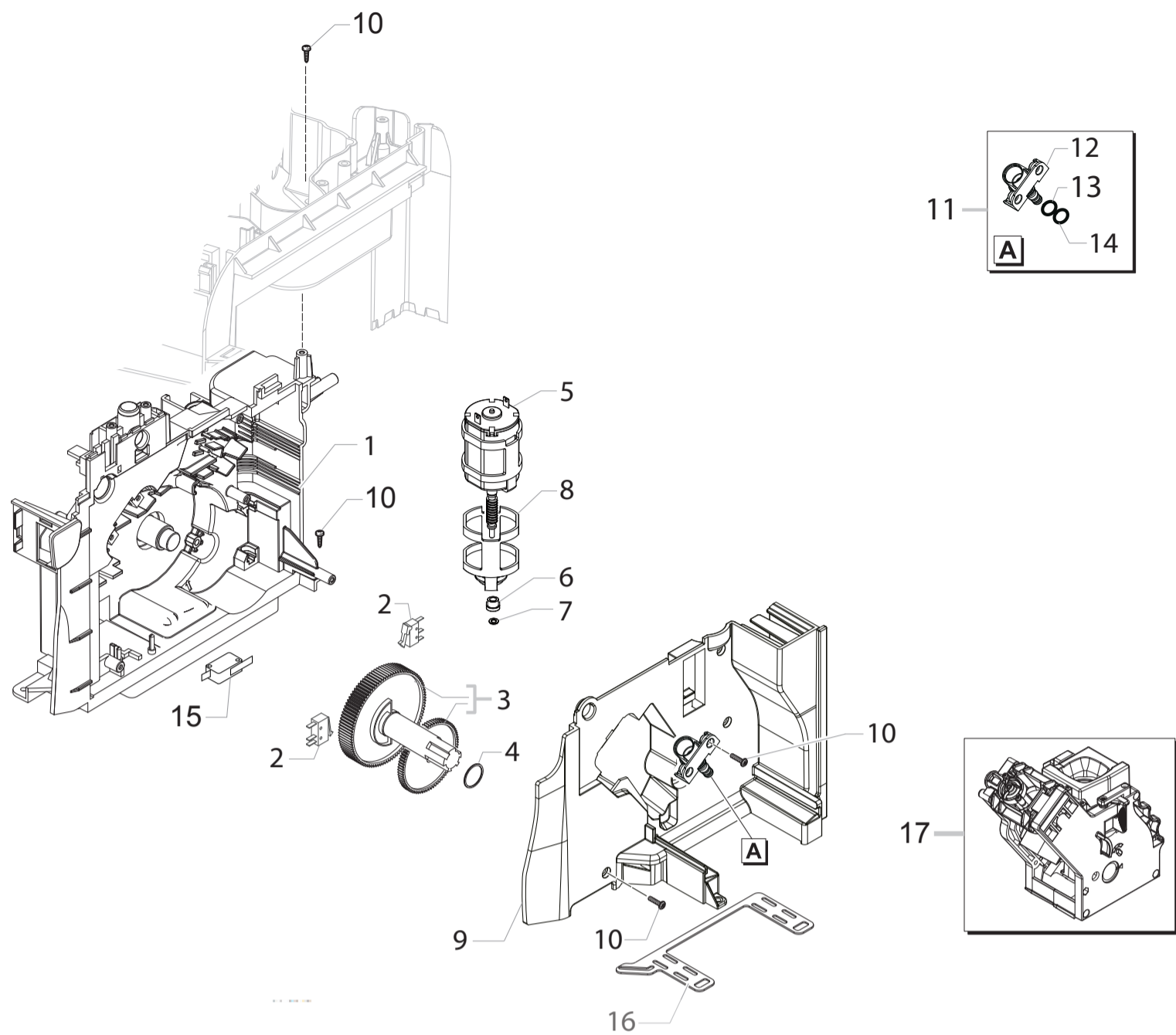
HD8833/11-12-13-14-15-16-18-19-31-39-47



Cod.10003553-3554-3555-3556-3557-3558

Cod.10003614-3765-3826-3827-3889

| POS | CODE | DESCRIPTION | NOTE | POS | CODE | DESCRIPTION | NOTE |
|-----|-----------|--|--------|-----|------|-------------|------|
| 01 | 11010031 | TEA ZAMA INCREASE SCREW GRINDER | | | | | |
| | 11024208 | TEA SHORT ZAMA INCREASE SCREW GRINDER | USA UL | | | | |
| 02 | 129574802 | SCREW TCB TORX 20 M4X30 ZN-B | | | | | |
| 03 | 149198250 | UPPER GRINDER SUPPORT COFFEEGRINDER | | | | | |
| 04 | 140328960 | NBR FDA OR METRIC 0530-15 | | | | | |
| 05 | 146520100 | BAKED CLAY GRINDER 48X28 | | | | | |
| 06 | 11012466 | BRASS BUSH BEAN CONT.FINGER PROTEC.P0057 | | | | | |
| 07 | 149198350 | LOWER GRINDER SUPPORT COFFEEGRINDER | | | | | |
| 08 | 123030300 | AXIAL BEARING EKKO 342.35252 | | | | | |
| 09 | 140360500 | FELT RING 45,4X39,4X4 | | | | | |
| 10 | 128310402 | GALV.WASHER UNI 8842 A4 | | | | | |
| 11 | 11026355 | BLK GROUND COFF.OUTLET CONVEYOR V4 ASSY. | | | | | |
| 12 | 145854462 | GROUND COFFEE CONT.SEAL LOWER SMART1 | | | | | |
| 13 | 226000300 | GEAR SX Z=38 FOR GRINDER MOTION ASSY. | | | | | |
| 14 | 11000513 | MOTOR COFFEEGRINDERV3.1 ASSY | 230V | | | | |
| | 11000511 | MOTOR COFFEEGRINDERV3.1 120V ASSY | | | | | |
| 15 | 149214800 | CAP FOR WORM SCREW MCV3 CENTRING | | | | | |
| 16 | 129661702 | SCREW TCB TORX 3,5X30 PLAST.ZN-B | | | | | |
| 17 | 11002873 | INSULATOR BUSH FOR GRINDER MOTOR P124 | | | | | |
| 18 | 11000597 | COFFEE GRINDER SUPPORT SPRING P124 | | | | | |
| 19 | 11014285 | BLK V2 BEAN CONTAIN.FINGER PROTECT.P0057 | | | | | |
| 20 | 128381902 | GALVAN.FLAT WASH.DI=4,3 DE=14 SP=1,5 | | | | | |
| 21 | 149199050 | SENSOR SUPPORT FOR COFF.GRIND.MOTOR | | | | | |
| 22 | 11000194 | BLACK GRINDER MOTOR SUPPORT P124 | | | | | |
| 23 | 181540900 | ELECTRONIC BOARD WITH SENSOR HAL506 | | | | | |
| 24 | 123030200 | RADIAL BEARING 61900.2RS1 | | | | | |
| 25 | 128381800 | CRINKLE WASHER 21,8X15,8X0,2 | | | | | |
| 26 | 142905450 | UPPER BODY WITH COFFE.GROUND OUTLET | | | | | |
| 27 | 11008871 | 3 POLES CONNECTOR MC SENSOR S0053 UL | | | | | |
| 28 | 11002613 | LOWER GEAR SUPPORT COFFEEGRINDER P124 | | | | | |
| 29 | 11002572 | GRINDER REGULATION SPRING P124 | | | | | |
| 30 | 11003784 | COFFEE GRINDING ADJUSTMENT GEAR P0049 | | | | | |
| 31 | U043.004 | ZN-B TCB SCREW M4X16 | | | | | |
| 32 | 11002508 | UPPER GEAR SUPPORT COFFEEGRINDER P124 | | | | | |
| 33 | 129914002 | SCREW TCB TORX 10 3,5X16 PLAST.ZN-B | | | | | |
| 34 | 11008869 | 2POLES CONNECTOR GRINDER MOTOR S0053 | | | | | |
| 35 | 11022841 | TRANS.BEAN CONTAIN.FINGER PROTECT.XSM UL | USA UL | | | | |
| | 11006059 | MC GENERAL MOTOR P0057 STD ASSY. | 230V | | | | |
| | 11013028 | MC GENERAL MOTOR P0057 120V ASSY. | 120V | | | | |
| | 11024242 | GEN.MOTOR COF.GRINDER V3 P0057 120V ASSY | USA UL | | | | |



PHILIPS

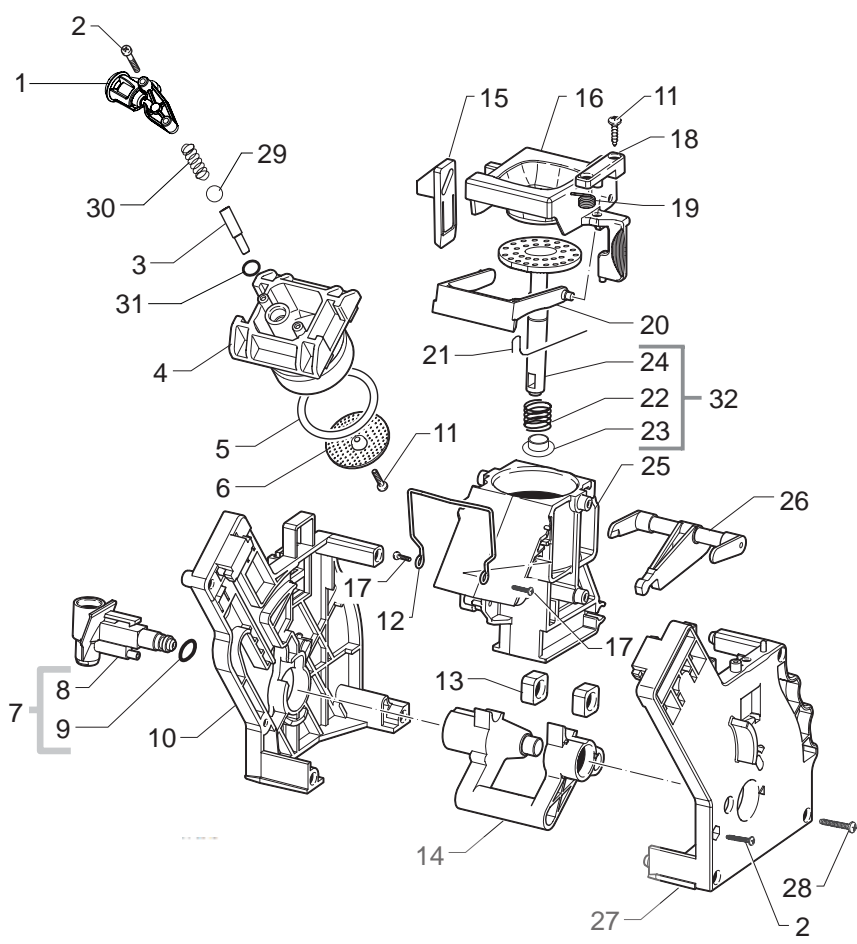
Saeco

HD8833/11-12-13-14-15-16-18-19-31-39-47



Cod.10003553-3554-3555-3556-3557-3558
Cod.10003614-3765-3826-3827-3889

| POS | CODE | DESCRIPTION | NOTE | POS | CODE | DESCRIPTION | NOTE |
|-----|-----------|--|------|-----|------|-------------|------|
| 01 | 17000366 | BLK RATIOMOTOR MOUNTING PLATE XSMC ASSY. | | | | | |
| 02 | NE05.038 | MICROSWITCH | | | | | |
| 03 | 20000900 | SPARES KIT GEARS FOR RATIOMOTOR V2 | | | | | |
| 04 | 9161.132 | MYLAR WASHER FOR RATIOMOTOR | | | | | |
| 05 | 11003037 | MOTOR FOR RATIOMOTOR ASSY. | | | | | |
| 06 | 9121.046 | SINTERED BUSH FOR MOTOR | | | | | |
| 07 | 148380200 | WASHER BAKELIZZATE D=5,5 | | | | | |
| 08 | 9121.044 | ANTIVIBRATION FOR MOTOR | | | | | |
| 09 | 11003754 | BLACK COVER FOR MOUNTING PLATE P0057 | | | | | |
| 10 | 12000450 | SCREW TCBR TORX 10 3,5X12 PLAST.ZN-N | | | | | |
| 11 | 11013531 | PIN FOR FLOW SELECTOR FAUCET P0057 ASSY. | | | | | |
| 12 | 11013530 | V2 PIN FOR FLOW SELECTOR FAUCET P0057 | | | | | |
| 13 | NM01.035 | OR ORM 0090-20 SILICONE | | | | | |
| 14 | NM01.057 | OR ORM 0050-20 SILICONE | | | | | |
| 15 | NE05.013 | MICROSWITCH | | | | | |
| 16 | 11013205 | SEAL FOR RATIOMOTOR PLATE XSM | | | | | |
| 17 | 11012382 | BLACK BREW UNIT 8GR.5BAR P0057 SEE EXP.CODE E90067 NEXT PAGE | | | | | |



SUP031-033-037



Cod. 11012382

| POS | CODE | DESCRIPTION | NOTE | POS | CODE | DESCRIPTION | NOTE |
|-----|--------------|--|------------------|-----|------|-------------|------|
| 01 | 11009362 | BLACK COFFEE OUTLET SLEEVE S0053 ASSY. | | | | | |
| 02 | 12000550 | SCREW TCB TORX 10 3X25 PLAST.SS | | | | | |
| 03 | 11009276 | TUBE FOR COUNTER PISTON BREW UNIT S0053 | | | | | |
| 04 | 11001840 | BLACK COUNTER PISTON BREW UNIT 8GR.P124 | | | | | |
| 05 | NM01.044 | OR ORM 0320-40 SILICONE PTFE/FDA | | | | | |
| 06 | 9161.268 | PERCOLATOR DE=35,8 ELFO | | | | | |
| 07 | 20000440 | BLACK SPARE SLEEVE UNIT | | | | | |
| 08 | 9161.064.050 | BLACK WATER INLET SLEEVE BREW UNIT | | | | | |
| 09 | NM02.007 | OR 2025 TERMOIL | | | | | |
| 10 | 9161.375.050 | BLACK REAR PLATE FOR BREW UNIT SMART | | | | | |
| 11 | 12000895 | SCREW TSP TORX 10 3X10 PLAST.SS | | | | | |
| 12 | 11001556 | SPRING H=49 FOR COFFEE BREW UNIT SMART | | | | | |
| 13 | 9161.094.150 | GREY DRILLED BLOCK BREW UNIT | | | | | |
| 14 | 9161.066.050 | ELBOW SHAFT FOR UNIT BLACK | | | | | |
| 15 | 9161.373.050 | BLACK COUPLING PLATE BREW UNIT SMART | | | | | |
| 16 | 149261350 | BLACK HOPPER DOSER BREW UNIT SMART1 | | | | | |
| 17 | 129912521 | SCREW TCB TORX 10 3,5X14 PLAST.SS | | | | | |
| 18 | 9161.374.050 | BLACK HOPPER BLOCKING PLATE UNIT SMART | | | | | |
| 19 | 9161.378 | SPRING HOPPER SMART BREW UNIT | | | | | |
| 20 | 11004161 | BLACK SCRAPER FOR COFFEE UNIT | | | | | |
| 21 | 9161.046 | SPRING FOR UNIT SCRAPER | | | | | |
| 22 | 9161.198 | PISTON SPRING BREW UNIT M5000 | | | | | |
| 23 | 9161.191 | NEUTRAL PISTON BUSH BREW UNIT M5000 | | | | | |
| 24 | 11003077 | BLACK INTEGRAL PISTON UNIT P124 8GR.ASS | | | | | |
| 25 | 11003075 | BLACK COFFEE CONTAINER BREW UNIT P124 | WITH PART. N° 12 | | | | |
| 26 | 11003078 | BLACK CONNECTING ROD FOR UNIT P124 8GR. | | | | | |
| 27 | 11005920 | BLACK FRONT PLATE BREW UNIT SMART S.SCR. | | | | | |
| 28 | 12000897 | SCREW TCB TORX 10 3,5X20 PLAST.SS | | | | | |
| 29 | 9991.168 | GLASS SPHERE D.5MM | | | | | |
| 30 | 11012095 | SPRING FOR COUNTERPISTON UNIT S0053 | | | | | |
| 31 | 140328761 | OR METRIC 0060-15 IN TERMOIL | | | | | |
| 32 | 11023086 | BLK 8GR.BREW UNIT NTEGR.PISTON GEN.ASSY. | | | | | |
| | 11012382 | BLACK BREW UNIT 8 GR.5 BAR S0053 | | | | | |



BLACK BREW UNIT 8 GR.5 BAR

TABLE 1/1